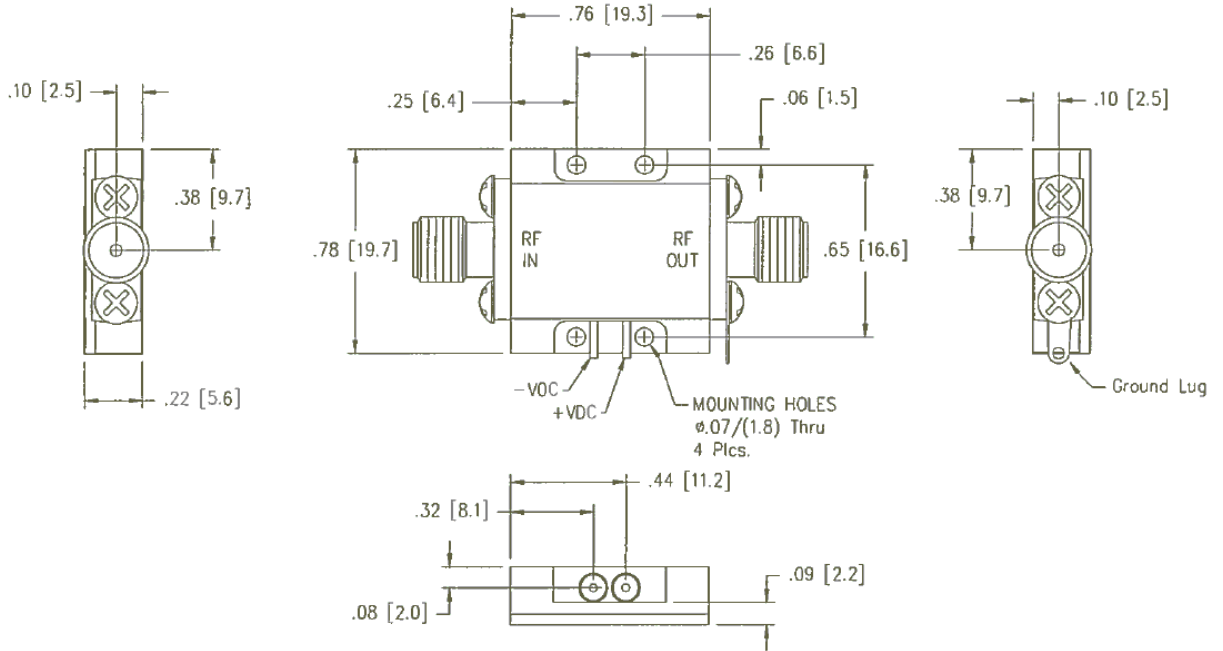


ELECTRICAL SPECIFICATIONS		
	Min	Max
Frequency Range	2.0GHz	18.0GHz
Gain	8.0dB	
VSWR		2.0:1
Noise Figure		7.0dB
P1	18dBm	
Power Supply	+12 V @ 110mA	
Connectors	SMA Female - removable	
Operating Temperature	-40°C	+85°C



Dimensions are in Inches [mm]

This document is the property of **Atlantic Microwave Limited** and is disclosed to the holder for confidential use only. The holder promises and agrees that it shall not be reproduced or copied in any manner, be lent to or have the contents made known to others.

General Description

Low Gain Broadband Drop-In Amplifier
Frequency Range: 2.0 – 18.0 GHz



40A Springwood Drive,
 Braintree,
 Essex, CM7 2YN,
 England
www.AtlantecRF.com
 Tel: +44 (0)1376 550220
 Fax: +44 (0)1376 552145

AtlantecRF is a brand name of Atlantic Microwave Ltd.

Drawing Number:

ENG14-036

Rev:

Dw	Check	Date	Scale	Projection
	01/08/14		NTS	
Rev.	Description	Date	Approval	