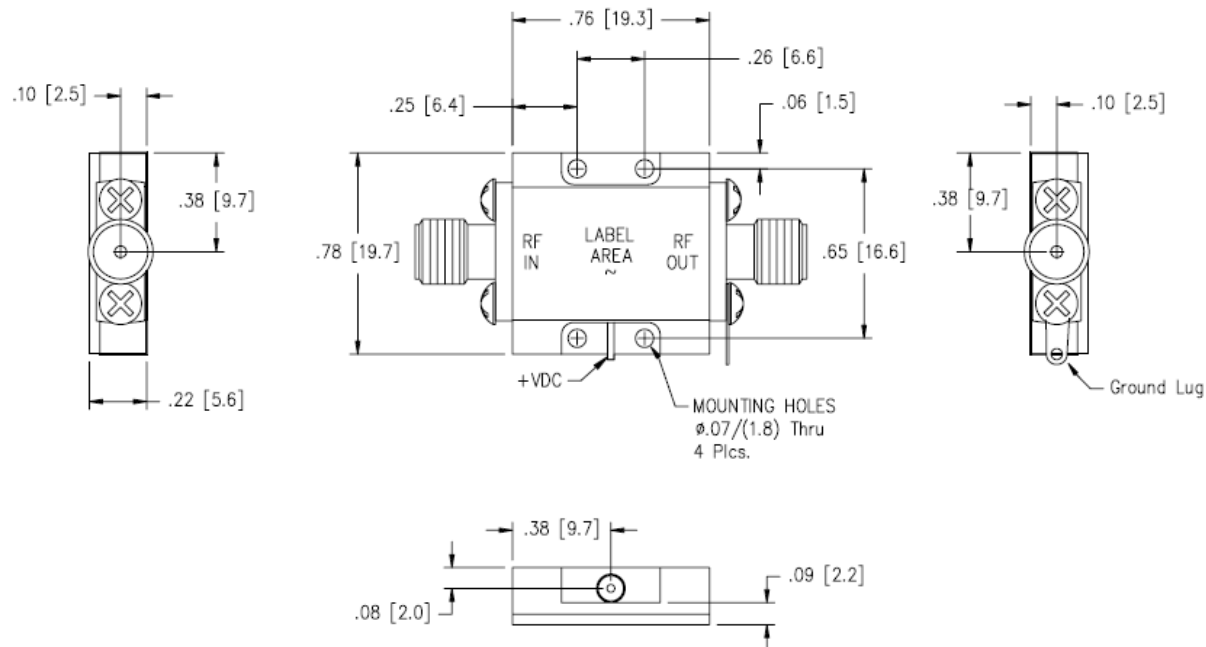


ELECTRICAL SPECIFICATIONS		
	Min	Max
Frequency Range	10.95GHz	12.75GHz
Gain	23.0dB	
Noise Figure		3.0dB
Pout (1 dBcp)	20.0dBm	
VSWR in/out	2.0:1	
Power Supply	+12 VDC	
Current	125 mA	
Connectors	SMA Female	

NOTES
1. Removable 'SMA' connectors
2. RF Pin diameter = .02" x .07" in length
3. Input voltage pin diameter is .03"



All dimensions in inches [mm]

This document is the property of **Atlantic Microwave Limited** and is disclosed to the holder for confidential use only. The holder promises and agrees that it shall not be reproduced or copied in any manner, be lent to or have the contents made known to others.

General Description

Amplifier
Frequency Range: 10.95GHz - 12.75GHz



40A Springwood Drive,
 Braintree,
 Essex, CM7 2YN,
 England
www.AtlantecRF.com
 Tel: +44 (0)1376 550220
 Fax: +44 (0)1376 552145

AtlanticTecRF is a brand name of Atlantic Microwave Ltd.

Drawing Number:
ENG14-003

Rev:

Dw	Check	Date	Scale	Projection
	30/07/14		NTS	
Rev.	Description	Date	Approval	