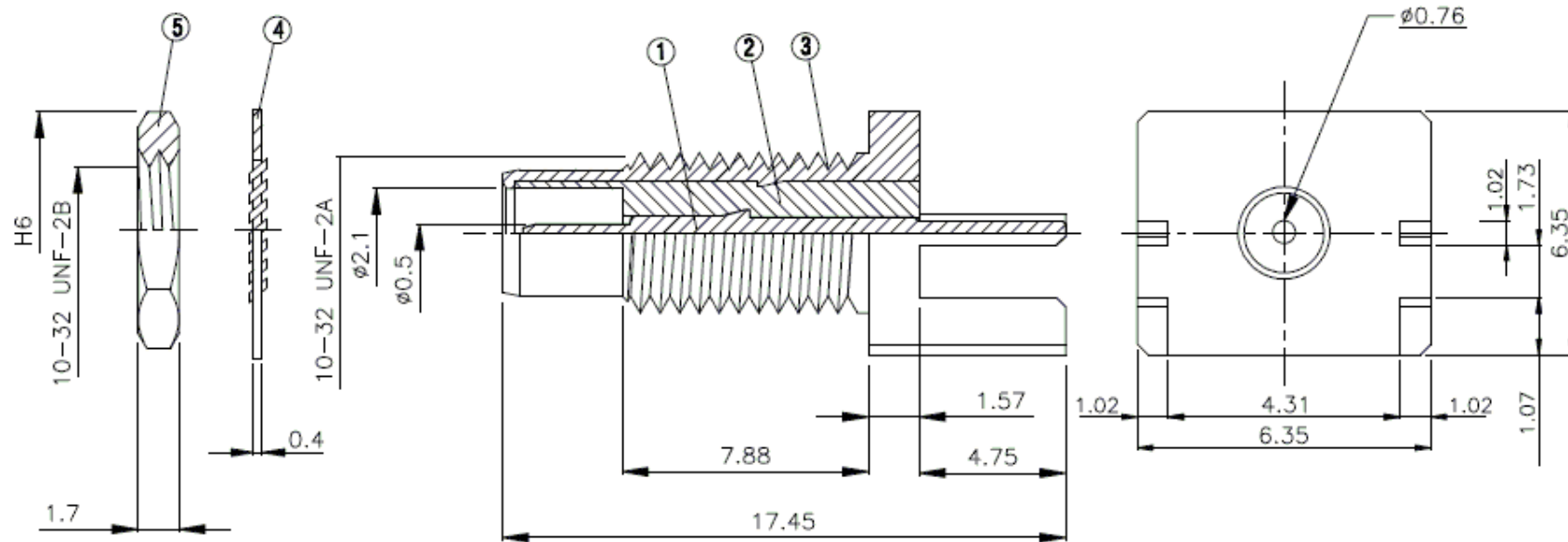
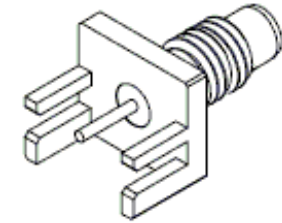


NO	ITEM	MATERIAL	QTY	FINISH
1	PIN	BRASS	1	GOLD
2	INSULATION	TEFLON	1	TEFLON
3	BODY	BRASS	1	GOLD
4	WASHER	BRASS	1	NICKEL
5	NUT	BRASS	1	NICKEL



Dimensions are in mm

This document is the property of **Atlantic Microwave Limited** and is disclosed to the holder for confidential use only. The holder promises and agrees that it shall not be reproduced or copied in any manner, be lent to or have the contents made known to others.

General Description

SMC Male Bulkhead End Launch Receptacle



40A Springwood Drive,
Braintree,
Essex, CM7 2YN,
England
www.AtlantecRF.com
Tel: +44 (0)1376 550220
Fax: +44 (0)1376 552145

AtlantecRF is a brand name of Atlantic Microwave Ltd.

Drawing Number:

ENG13-116

Rev:

Dw	Check	Date	Scale	Projection
	12/03/14		NTS	
Rev.	Description	Date	Approval	