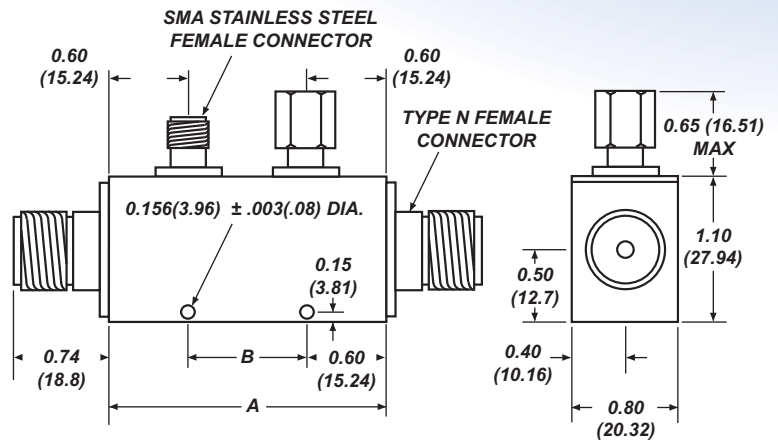


Directional Couplers - High Power



- 0.5 - 12.0 GHz
- 600W C.W.
- 10kW Peak
- RF Shielded
- Robust Construction

General Specifications	
Input Power	600W C.W. Standard 1000W C.W. Custom
Design	Stripline
Circuit	PTFE Based
Housing	Aluminium
Connectors	to MIL-C-39012
Main Line	Standard Type N Female Options Type N Male SC Male or Female 7/17 Male or Female
Coupled Port	Standard SMA Female Options SMA Male
Temperature	-55 +85C
Finish	Paint



All dimensions are in inches (mm).

Custom frequency ranges, specifications and configurations are also available.

Specification Temperature +25C

FIG	A	B
1	2.00 (50.8)	0.80 (20.3)
2	2.50 (63.5)	1.30 (33.0)
3	3.00 (76.2)	1.80 (45.7)
4	3.50 (88.9)	2.30 (58.4)
5	3.85 (97.8)	2.65 (67.3)
6	6.00 (152.4)	4.80 (121.9)

Model No	Frequency (GHz)	Coupling (1) (dB)	Frequency sensitivity (dB)	Insertion Loss (dB) max.	Directivity (dB) min.	VSWR max. Primary Line	Fig.
A2323 - C (2)	0.5 - 2	C ± 1.0 (2)	± 0.75	0.2	18	1.20	6
A2303 - C (2)	1 - 2	C ± 1.0 (2)	± 0.75	0.2	18	1.15	4
A3333 - C (2)	1 - 4	C ± 1.0 (2)	± 0.70	0.2	15	1.20	5
A2336 - 35	1 - 11	35 ± 1.5	± 1.50	0.2	15	1.30	5
A3334 - C (2)	1.5 - 4.5	C ± 1.0 (2)	± 0.60	0.2	18	1.20	4
A2304 - C (2)	2 - 4	C ± 1.0 (2)	± 0.75	0.2	18	1.15	2
A3345 - C (2)	2 - 8	C ± 1.0 (2)	± 0.60	0.2	16	1.30	3
A2345 - C (2)	2.6 - 5.2	C ± 1.0 (2)	± 0.75	0.2	18	1.25	2
A2305 - C (2)	4 - 8	C ± 1.0 (2)	± 0.75	0.2	17	1.30	1
A2356 - C (2)	5 - 11	C ± 1.0 (2)	± 0.50	0.2	15	1.30	1
A2306 - C (2)	7 - 11	C ± 1.0 (2)	± 0.50	0.2	16	1.30	1
A3356 - C (2)	4 - 12	C ± 1.0 (2)	± 0.60	0.2	15	1.30	2

(1) Includes frequency sensitivity

(2) Coupling C to be selected in range 30 to 50dB

We reserve the right to change standard product specifications without notice but will be pleased to consider control drawings for quotation.