

- High Quality Synthesised Local Oscillator
- 5.1GHz to 14.5GHz in bands
- Low Phase Noise
- High Spectral Purity
- Compact size
- Quick Delivery



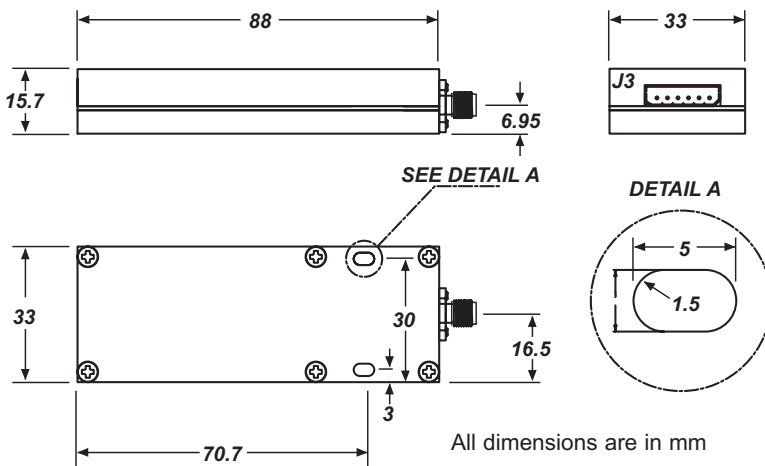
The ALO series of Synthesised Local Oscillators are supplied in a number of standard models which can be quickly factory pre-programmed to the customers specific frequency of operation.

Model Numbers

Example:-

ALO-1090-XXXXX (where XXXXX is the frequency in MHz)
ALO-1090-12750 (Tuned to 12750MHz)

General Specifications	
Weight	92g
Operating Temperature	-30 to +70C
DC Input	+12V @ 250mA max. for 5-8GHz units @ 300mA max. for 10-14GHz units
Pre-programmed Step Size	500KHz
Loop Bandwidth	5KHz typ.
Harmonics	-20dBc typ.
Sub-Harmonics	-55dBc typ.
Spurious within ± 500 KHz	-60 dBc typ.
Spurious beyond ± 500 KHz	-65dBc typ.
Output Connector	SMA Female (SMA Male optional)
Power and Alarm Connector	6 Pin SPOX Male



Model Number	Frequency in Range of (MHz)	Frequency Stability (ppm)	Phase Noise (dBc/Hz) typ.				Pout (dBm)
			at 1KHz	at 10KHz	at 100KHz	at 1MHz	
ALO-1010-XXXXX	5000-6000	+/-2.5	-67	-77	-103	-123	>14
ALO-1020-XXXXX	5100-5500	+/-2.5	-78	-88	-112	-132	>14
ALO-1030-XXXXX	5900-6400	+/-2.5	-75	-85	-110	-130	>14
ALO-1040-XXXXX	6500-6900	+/-2.5	-75	-85	-108	-128	>14
ALO-1050-XXXXX	7100-7700	+/-2.5	-67	-77	-106	-126	>14
ALO-1060-XXXXX	9570-10220	+/-2.5	-70	-80	-110	-130	>13
ALO-1070-XXXXX	10000-10800	+/-2.5	-75	-85	-110	-130	>13
ALO-1080-XXXXX	11870-12380	+/-2.5	-70	-80	-105	-125	>12
ALO-1090-XXXXX	12700-13300	+/-2.5	-70	-80	-105	-125	>12
ALO-1100-XXXXX	13300-13800	+/-2.5	-70	-80	-105	-125	>11
ALO-1110-XXXXX	14000-14200	+/-2.5	-70	-80	-105	-125	>11
ALO-1120-XXXXX	14200-14550	+/-2.5	-70	-80	-105	-125	>11

We reserve the right to change standard product specifications without notice but will be pleased to consider control drawings for quotation.