

Miniature Signal Generator

ASG Series

- 25-6000MHz
- Full Range Tuning
- Frequency & Level Control
- USB
- Also with RS232
- External or Internal (+/-1ppm) Reference
- Compact Size
- Non-Volatile Memory
- RoHS Compliant

Supplied with:

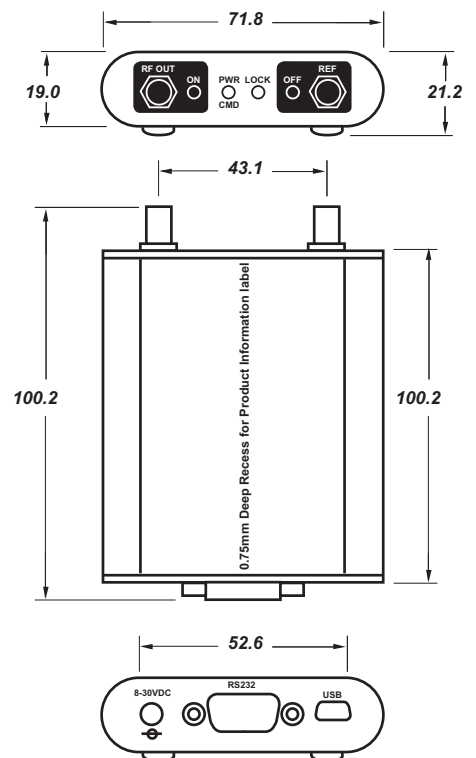
- Control Software
- USB to Mini USB Cable
- DC Input Connector



| RF Performance | | | | |
|--------------------------|--|-------------|---|---------------|
| Frequency Range | 25 - 3000MHz – USB Control Interface - Model ASG-3000-U | | 25 - 6000MHz – USB Control Interface - Model ASG-6000-U | |
| Frequency Step Size | 1Hz | | | |
| Output Maximum Amplitude | +13dBm, <3GHz; +10dBm, 3-6GHz | | | |
| Output Range | +13dBm to -27dBm, 0.1dB Steps (output level set in dBm) | | | |
| Internal Reference | 40MHz, +/-1ppm over temperature, +/-1ppm per year | | | |
| Phase Noise Maximum | Frequency | 1KHz Offset | 10KHz Offset | 100KHz Offset |
| | 25 - 250MHz | -98 | -106 | -112 |
| | 250 - 1000MHz | -92 | -96 | -106 |
| | 1000 - 3000MHz | -83 | -94 | -101 |
| | 3000 - 6000MHz | -80 | -85 | -92 |
| Spurious | Maximum: < -50dBc, Typical: < -70dBc | | | |
| Harmonics | Typical: -25dBc, Maximum: -20dBc | | | |
| Lock Time | Standby mode On (synthesiser on, max attenuation, amplifiers off): <10mS Standby mode Off (synthesiser off): <50mS | | | |
| RF Output connector | SMA Female | | | |
| Reference Connector | SMA Female Software controlled input/output 40MHz Output 10-50MHz input (software programmable frequency) | | | |
| Power | | | | |
| Power Input | 3.5mm OD x 1.35mm ID coaxial power jack 6-30VDC In, Target: <250mA at 9V, Maximum: 300mA at 9V Centre Positive | | | |
| Power Selection | Automatic Switching <ul style="list-style-type: none"> • Coaxial Power jack selected by default • Allows USB interface connection to unpowered hub with coaxial power input • USB power used when coaxial power not present | | | |

| Interface | |
|------------------------------|--|
| Control Electrical Interface | USB <ul style="list-style-type: none"> • Virtual COM port RS232 <ul style="list-style-type: none"> • 9-pin male D-sub connector • 9.6 (default), 19.2, 38.4, 57.6, 115.2 kbps, software selectable |
| Control Interface Selection | Automatic Switching USB interface selected when connected (senses 5V power) RS232 interface selected when USB not connected |
| Output Modes | Continuous On/Off via external trigger |
| External Trigger | Pin 4 of RS232 connector USB interface selected: <ul style="list-style-type: none"> • 0-3.3V logic levels RS232 interface selected: <ul style="list-style-type: none"> • RS232 +/- levels, can be controlled through software DTR control |
| Status Indicators | Power Synthesiser Lock RF Output Reference Out |
| Control Data Interface | ASCII text |
| PC User Interfaces | Third-part terminal application (e.g. HyperTerm) <ul style="list-style-type: none"> • ASCII commands PC application (windows XP, Win 7) <ul style="list-style-type: none"> • Adjust frequency and output level • Set power-on defaults • Sweep • Control multiple units • Identify connected units |
| Internal Memory | Non-volatile, automatically stores most recent settings |

| Environmental | |
|-----------------------|---|
| Operating Temperature | -20 to +50C |
| Storage Temperature | -40 to +85C |
| Mechanical | |
| Dimensions | 21mm x 72mm x 100mm |
| Weight | <300g |
| Material | Aluminium extrusion Aluminium endplates with black legend Rubber Feet |



Option

- ASG Mounting Bracket Pair
 Supplied fitted to the unit e.g. use order code: ASG-3000-U-MB
 To order brackets separately use order code: ASG-MB

[Download Drawing PDF](#)

We reserve the right to change standard product specifications without notice but will be pleased to consider control drawings for quotation.