

COAXIAL ADAPTERS – SMA & Type N Series

S191-CCSF

SMA Female to SMA Female

Frequency Range: DC-18GHz

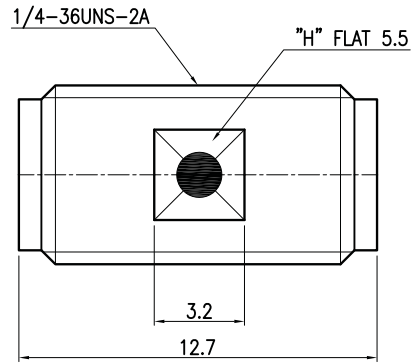
VSWR: $1.10 + 0.008f(f=GHz)$ max.

Operating Temperature: -40 to +120C

Centre Contact: Gold Plated Beryllium Copper

Body: Passivated Stainless Steel

Insulator: PTFE



S390-CCSF

SMA Male to SMA Male

Frequency Range: DC-18GHz

VSWR: $1.10 + 0.008f(f=GHz)$ max.

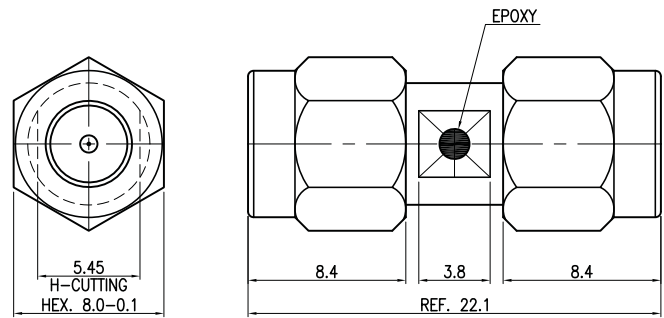
Operating Temperature: -45 to +120C

Centre Contact: Gold Plated Brass

Body, Coupling Nut, Snap Ring: Passivated Stainless Steel

Insulator: PTFE

Gasket: Silicone Rubber



S299-CCSF

SMA Male to SMA Female

Frequency Range: DC-18GHz

VSWR: 1.25:1 max.

Insertion Loss: 0.7dB max.

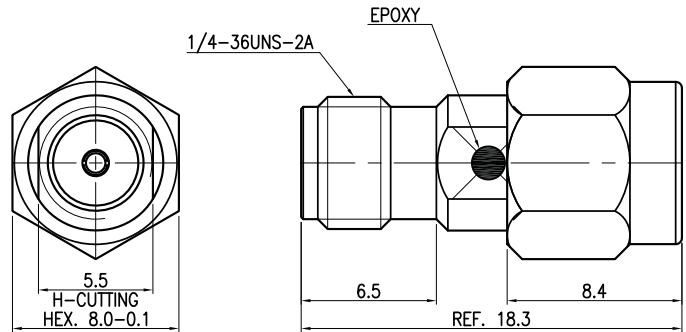
Operating Temperature: -45 to +120C

Centre Contact: Gold Plated Beryllium Copper

Body, Coupling Nut, Snap Ring: Passivated Stainless Steel

Insulator: PTFE

Gasket: Silicone Rubber



S170-CCSF

SMA Female to SMA Female Bulkhead

Frequency Range: DC-18GHz

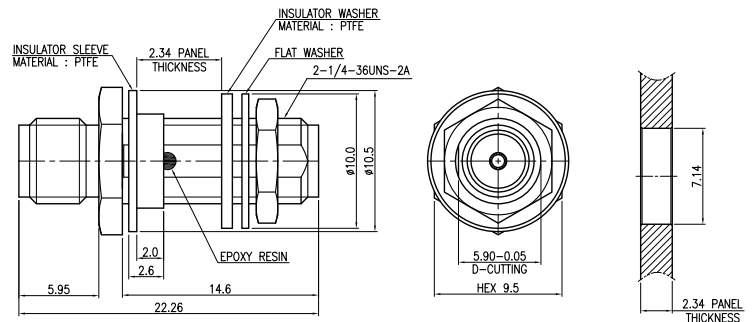
VSWR: 1.20:1 max.

Operating Temperature: -55 to +100C

Centre Contact: Gold Plated Beryllium Copper

Body, Hex Nut, Flat Washer: Passivated Stainless Steel

Insulator: PTFE



All parts are RoHS compliant. Dimensions in mm

Adapters

COAXIAL ADAPTERS – SMA & Type N Series

S004-SF

SMA Female to Type N Male

Frequency Range: DC-18GHz

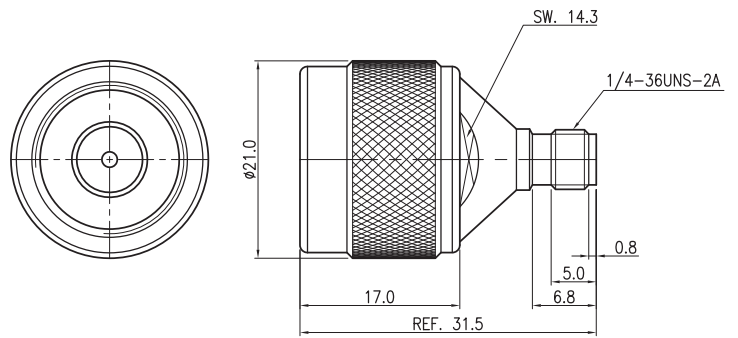
VSWR: 1.25:1 max.

Operating Temperature: -45 to +120C

Centre Contact: Gold Plated Beryllium Copper

Body, Coupling Nut: Passivated Stainless Steel

Insulator: PTFE



S006-SF

SMA Male to Type N Male

Frequency Range: DC-18GHz

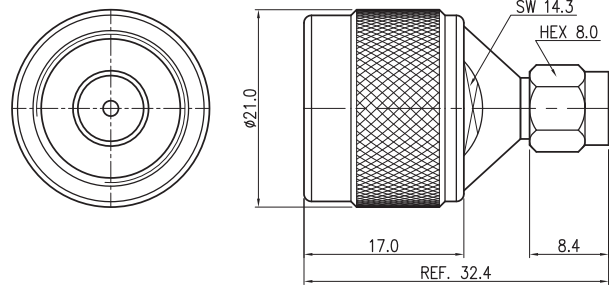
VSWR: 1.25:1 max.

Operating Temperature: -45 to +120C

Centre Contact: Gold Plated Beryllium Copper

Body, Coupling Nut: Passivated Stainless Steel

Insulator: PTFE



S008-SF

SMA Female to Type N Female

Frequency Range: DC-18GHz

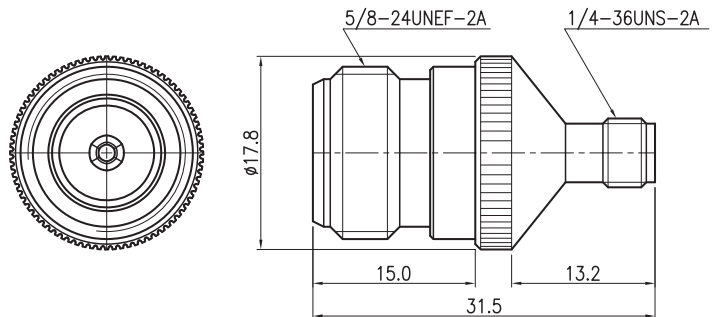
VSWR: 1.25:1 max.

Operating Temperature: -45 to +120C

Centre Contact: Gold Plated Beryllium Copper

Body: Passivated Stainless Steel

Insulator: PTFE



S010-SF

SMA Male to Type N Female

Frequency Range: DC-18GHz

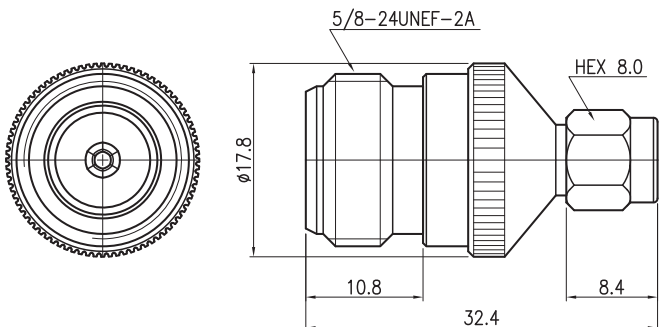
VSWR: 1.25:1 max.

Operating Temperature: -45 to +120C

Centre Contact: Gold Plated Beryllium Copper

Body, Coupling Nut: Passivated Stainless Steel

Insulator: PTFE



All parts are RoHS compliant. Dimensions in mm

Adapters

COAXIAL ADAPTERS – SMA & Type N Series

S009-CC

SMA Female to Type N Female Panel Mount

Frequency Range: DC-18GHz

VSWR: 1.30:1 max.

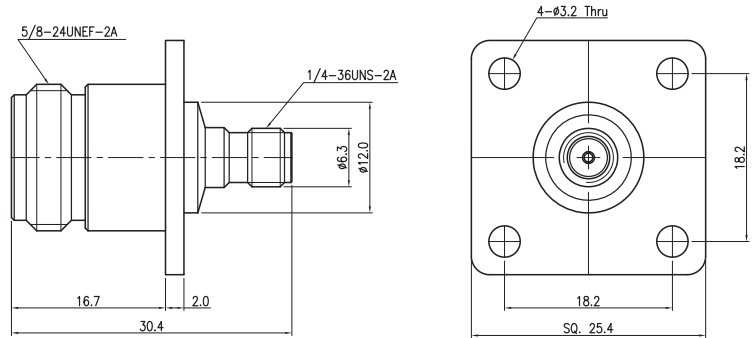
Operating Temperature: -45 to +120C

Centre Contact: Gold Plated Beryllium Copper

Body: Ternary-alloy Plated Brass

Insulator: PTFE

Mechanical Captivation (Barb for axial direction)



N036-SF

Type N Female to N Male

Frequency Range: DC-18GHz

VSWR: 1.20:1 max.

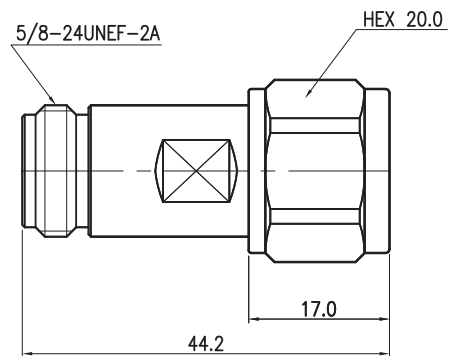
Operating Temperature: -45 to +120C

Centre Contact: Gold Plated Beryllium Copper

Body, Coupling Nut, Snap Ring: Passivated Stainless Steel

Insulator: PTFE

Gasket: Silicone Rubber



N037-SF

Type N Female to N Female

Frequency Range: DC-18GHz

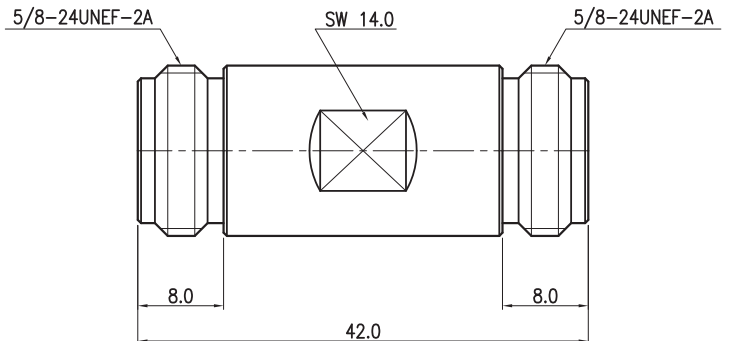
VSWR: 1.20:1 max.

Operating Temperature: -45 to +120C

Centre Contact: Gold Plated Beryllium Copper

Body: Passivated Stainless Steel

Insulator: PTFE



N020-SF

Type N Female to N Female Bulkhead

Frequency Range: DC-6GHz

VSWR: 1.20:1 max.

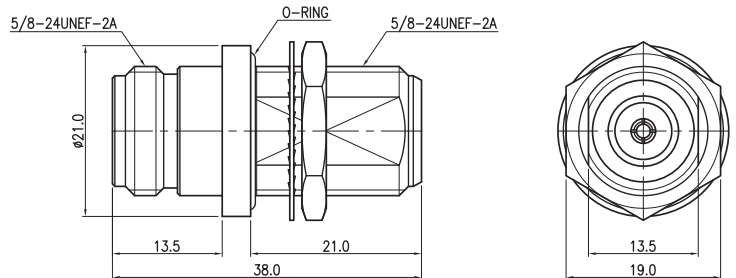
Operating Temperature: -45 to +120C

Centre Contact: Gold Plated Beryllium Copper

Body, Hex Nut, Lock Washer: Passivated Stainless Steel

Insulator: PTFE

O-Ring: Silicone Rubber



All parts are RoHS compliant. Dimensions in mm

Adapters